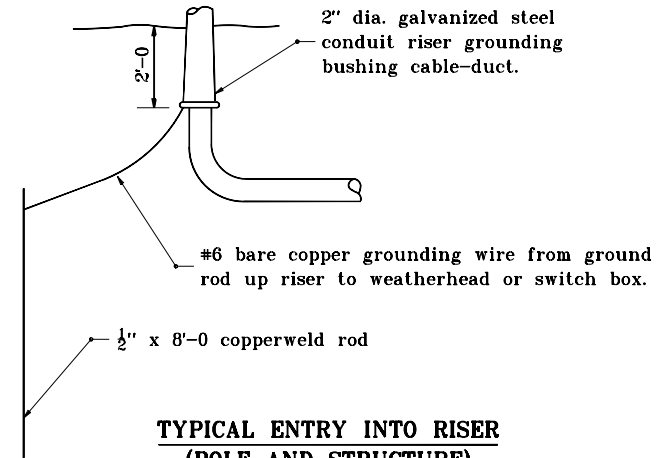
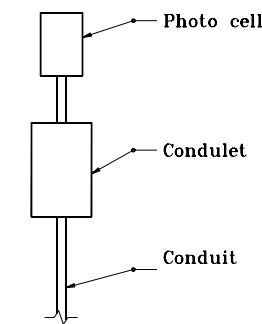


**SERVICE POINT
TYPE I**



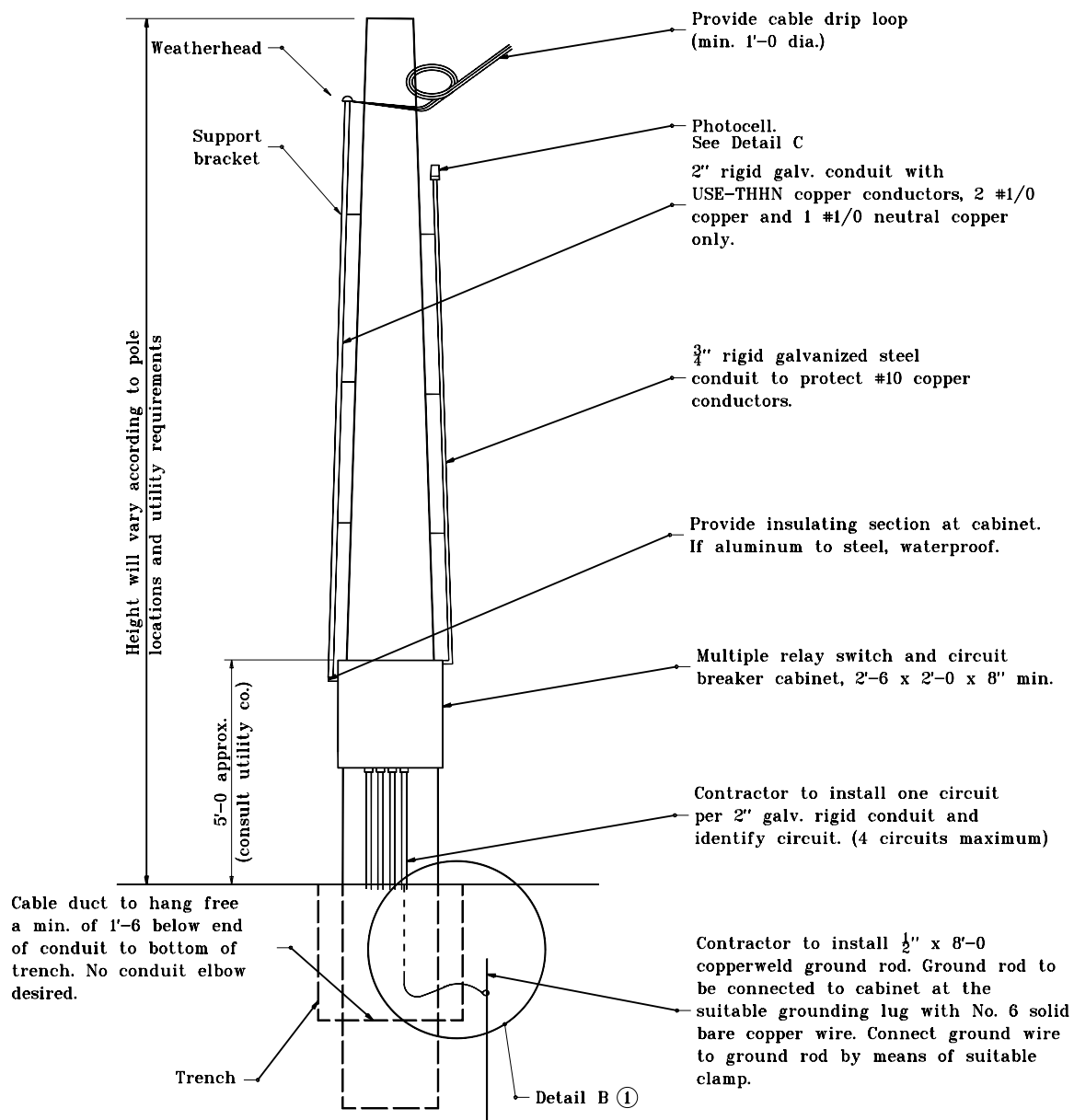
**TYPICAL ENTRY INTO RISER
(POLE AND STRUCTURE)**

DETAIL B



DETAIL C

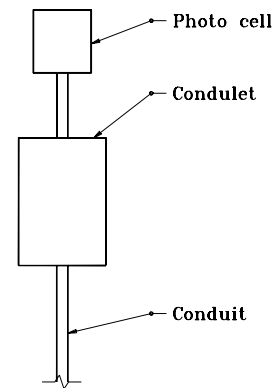
INDIANA DEPARTMENT OF TRANSPORTATION	
LIGHT SERVICE POINT DETAILS	
SEPTEMBER 1998	
STANDARD DRAWING NO. E 807-LTSP-01	
DETAILS PLACED IN THIS FORMAT 11-15-99	
	/s/ Anthony L. Uremovich 11-15-99 DESIGN STANDARDS ENGINEER DATE
	/s/ Firooz Zandi 11-15-99 CHIEF HIGHWAY ENGINEER DATE
DESIGN STANDARDS ENGINEER	ORIGINALLY APPROVED 9-01-98



**SERVICE POINT
TYPE II**

Notes:

- ① See Standard Drawing E 807-LTSP-01 for Detail B.

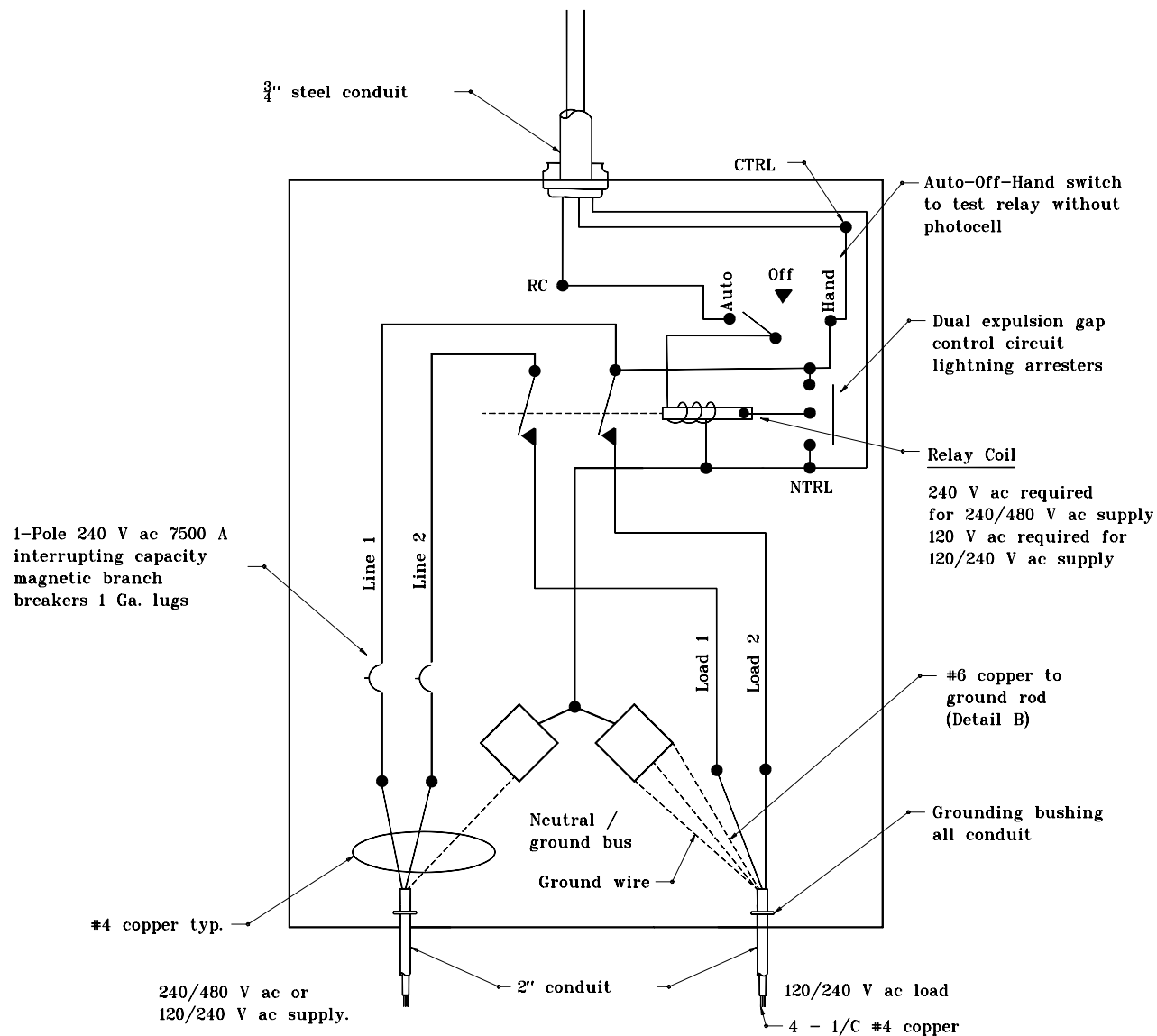


DETAIL C

INDIANA DEPARTMENT OF TRANSPORTATION	
LIGHT SERVICE POINT DETAILS	
JANUARY 2000	
STANDARD DRAWING NO. E 807-LTSP-02	
	/s/ Anthony L. Uremovich 1-03-00 DESIGN STANDARDS ENGINEER DATE
	/s/ Firooz Zandi 1-03-00 CHIEF HIGHWAY ENGINEER DATE
DESIGN STANDARDS ENGINEER	

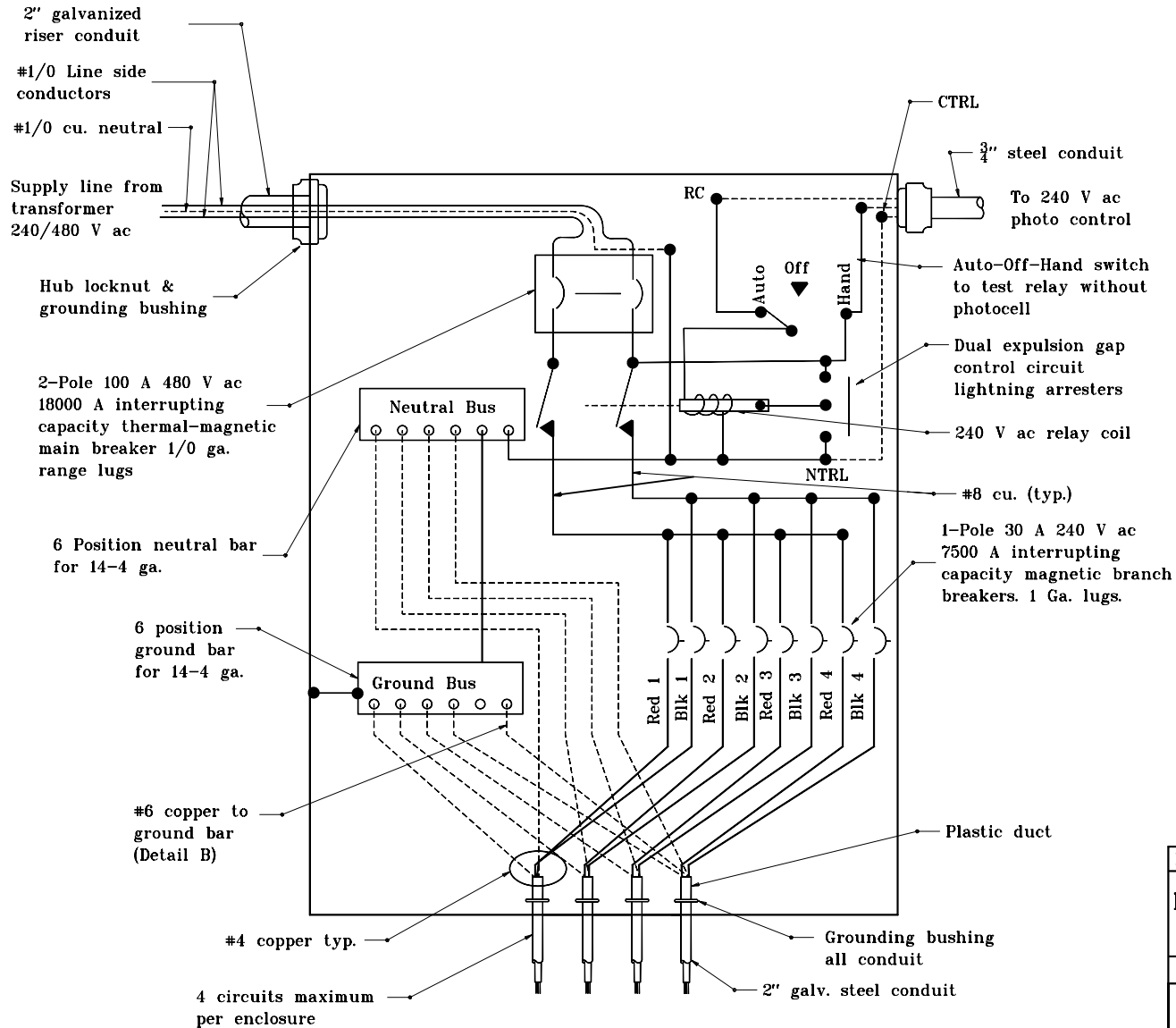
GENERAL NOTES

To Photo Control:
 240 V ac required for 240/480 V ac supply.
 120 V ac required for 120/240 V ac supply.



**TYPICAL CABINET WIRING,
 TYPE 1**

INDIANA DEPARTMENT OF TRANSPORTATION	
LIGHT SERVICE POINT DETAILS	
JANUARY 2000	
STANDARD DRAWING NO. E 807-LTSP-03	
	/s/ Anthony L. Uremovich 1-03-00 <small>DESIGN STANDARDS ENGINEER DATE</small>
	/s/ Firooz Zandi 1-03-00 <small>CHIEF HIGHWAY ENGINEER DATE</small>
<small>DESIGN STANDARDS ENGINEER</small>	



**TYPICAL CABINET WIRING,
TYPE II**

INDIANA DEPARTMENT OF TRANSPORTATION	
LIGHT SERVICE POINT DETAILS	
JANUARY 2000	
STANDARD DRAWING NO. E 807-LTSP-04	
	/s/ Anthony L. Uremovich 1-03-00 DESIGN STANDARDS ENGINEER DATE
	/s/ Firooz Zandi 1-03-00 CHIEF HIGHWAY ENGINEER DATE
DESIGN STANDARDS ENGINEER	